

Installing your Trellis Panel

1. Once the posts are erected and concreted in at the correct distances apart, fix a stringline along the posts at 100mm above the ground to check the ground clearance. If this is OK and the ground between one end of the fence and the other is level, mark the posts at this height. If the ground is sloping however, mark the posts at the lower end of the stopper. From this point on mark the height of the panel – in this case it would be 1.8m.
2. Transfer each of these marks across to the next post (on the higher side of the slope), making sure that both points are level and therefore square to the post. This will now mark the top of the trellis.
3. At this point you must work out the overall thickness of the trellis and battens. Most trellises are 20mm thick and the battens are 30x30mm thick.
4. Work from the centre of the post; mark out the trellis thickness by marking 10mm either side of the centre line. From there the battens are 30mm thick so mark 30mm from the trellis line outward and add this is your overall thickness. Work this out on one post only then find the distance from the edge of the post back to the stop, and apply that to the other posts.

Securing the Trellis Panels

1. At this point you will need to decide how you are going to support the trellis at the top and bottom of the panel.

Option 1:

- Step 1** Install a rebated capping section between the posts (see [Illustration 4](#)) along the bottom line of the trellis. Temporarily locate the trellis between the post and where the bottom capping piece is not level to the ground. Scribe the bottom of the trellis to follow the line of the capping.
- Step 2** Mark the position of the bottom edge of the upper capping piece to indicate where it will sit after it is (later) installed.
- Step 3** Cut to length and fix one vertical batten to each post in its pre-determined position.
- Step 4** Install the trellis in the opening by locating it into the rebate in the capping piece at the bottom and temporarily tacking it in position against the vertical battens on the posts.
- Step 5** Cut to length and fix the vertical battens to the other side of the trellis (see [Illustration 3](#)).
- Step 6** Cut to length and install upper capping piece over the trellis and complete fixing of all components.

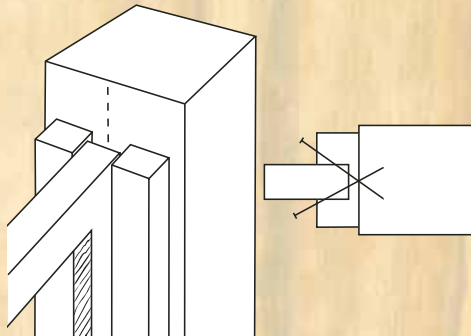


Illustration 3: Fixing the trellis battens

Option 2:

Is to install horizontal 100 x 50mm rails (top and bottom) between the posts and batten the trellis in position along the rails as for the vertical battens in Option 1.

Capping the Trellis

If you already haven't done so under Option 1, once all of the panels are complete, decide if you would like a capping on the trellis. Cappings come in different profiles so ask one of our staff members to show you the range as this can be quite important to the final appearance of the panel. If you do want a capping, look for one that won't hold water and deflects it away from the panel. For our guide example we've gone with a standard triangular capping. Simply cut the capping to the measurement between the posts minus 3mm to allow for contraction and expansion.

Once cut, position centrally along the top of the trellis and fix using 40mm galvanised flat head nails. Nail slightly off centre as the nails will just slide in between the trellis and the capping will become loose (see [Illustration 4](#)).

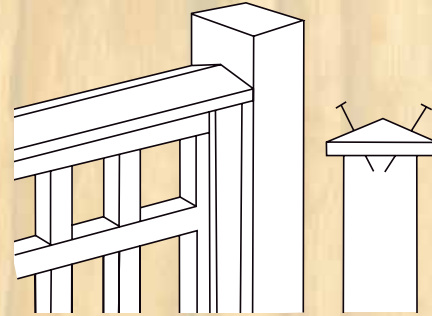


Illustration 4: Capping the trellis

Emphasise the Posts

The top of the posts can be cut on an angle or have a shape cut into the top. Or there are many cappings that we can supply (see [Illustration 5](#)).

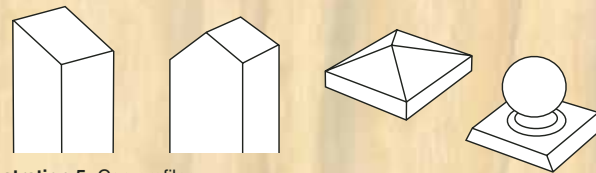


Illustration 5: Cap profiles

Tips

1. If you are going to paint your trellis do it before fixing it in place. Painting the trellis, battens and posts before fixing will be easier than painting them in place, and ensures all surfaces are covered.
2. When fixing the battens it is a good idea to pre-drill the nail holes to prevent splitting the battens or the trellis. Use a drill bit which is slightly smaller.

INSTALLING

TRELLIS FENCE PANELS

YOUR COMPLETE HOW TO GUIDE



PlaceMakers[®]
Know how. Can do.

GETTING STARTED

Want to install a basic trellis panel? These instructions will show you how. If you're using trellis panels of different shapes, patterns and sizes you may have to adjust these instructions to suit your particular project. That won't be tricky though.

First we'll show you how to fix a trellis panel to a fence post. Pick up a copy of our 'Installing Posts & Rails' brochure to install posts.

Ideas & Inspiration



Materials

MATERIALS REQUIRED	Quantity Required
Trellis panel 1.8W x 1.8H	
'U' Shape Capping	
30x30 H3.2 Treated Battens	
65mm Hot-dipped Galvanised Flathead Nails	

Tools

These are all the tools you need to do the work described on this page. Power tools like a circular saw or power drill will make some of the work easier but aren't essential. All these tools are available from any of our stores.

✓	Tape Measure	✓	Spirit Level
✓	Stringline	✓	Hammer
✓	Square & Pencil	✓	Handsaw

Planning your Fence

You must also know the actual size of the trellis panels you are going to be using so that they fit between the posts with a gap of 5mm tolerance (see [Illustration 1](#)).

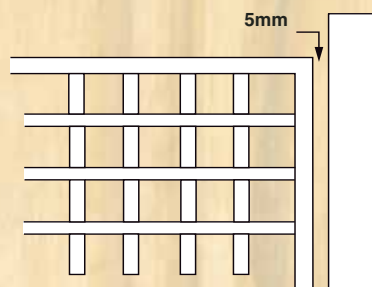


Illustration 1: 5mm clearance

Posts are placed 1.81m apart, which is measured in between each post. The height of the posts will depend on the size of the trellis. Most posts should sit slightly higher than the panel to enable a post cap or the top cut on an angle (see [Illustration 2](#)).

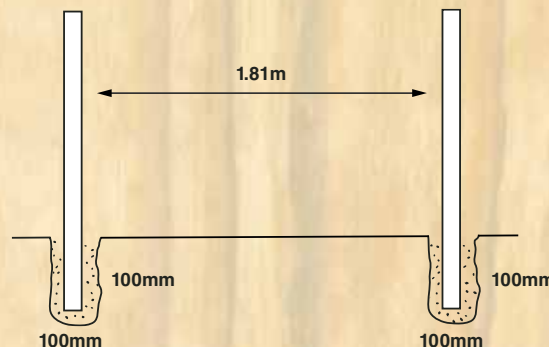


Illustration 2: Position of posts



"The most renewable natural resource" for more information visit our website www.nzwood.co.nz

Produced in association with



The Building Research Association of New Zealand

Please Note:

While the advice and recommendations contained in this brochure have been produced with proper care, they are offered only with the objective of assisting those interested in home improvement projects. PlaceMakers does not accept responsibility for the advice, recommendations, etc. contained herein.

Updated: November 2008 (FM0602 11/08)

www.placemakers.co.nz

PlaceMakers
Know how. Can do.